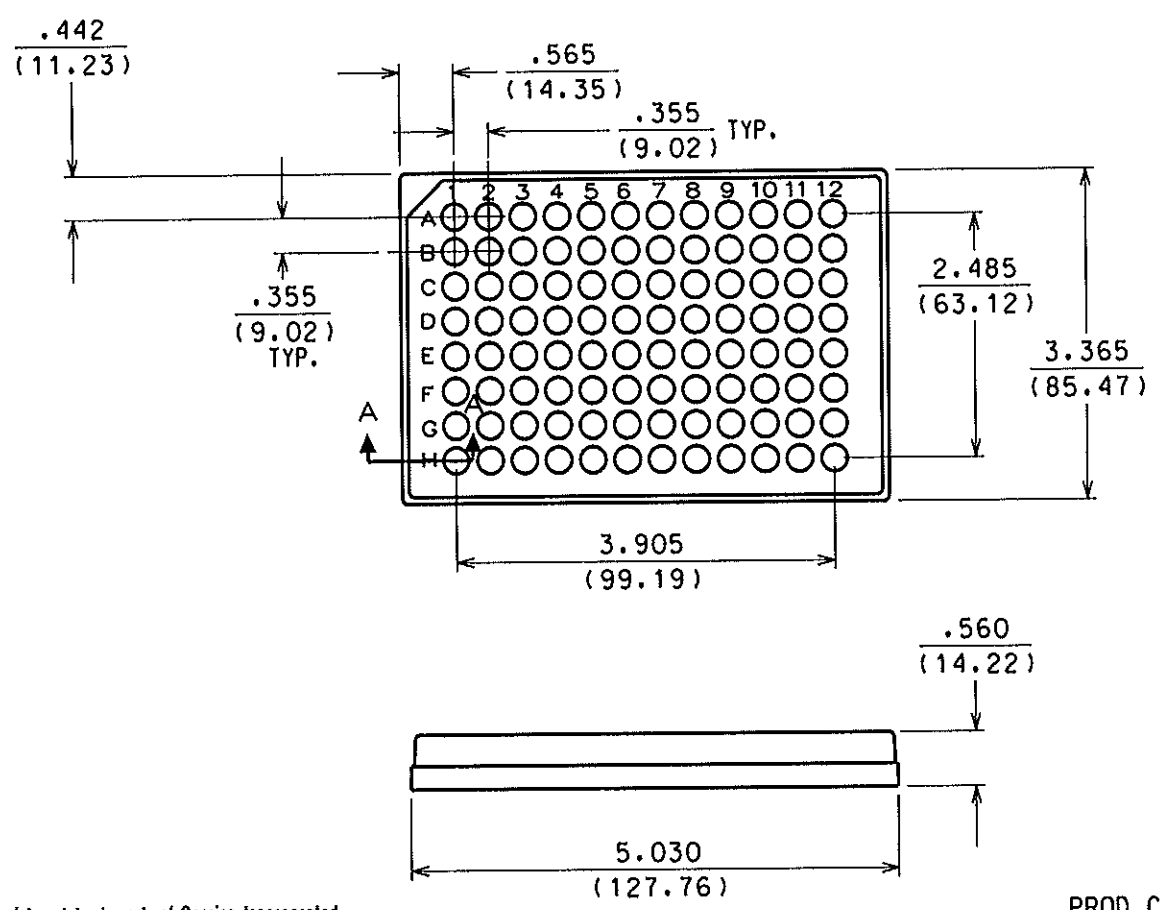


REVISIONS				
REV	DR	DESCRIPTION	DATE	APPROVED
A	MB	RELEASE PER CD#05264	05/02/97	LEP
B	MB	RELEASE PER CD# 05780 WAS 144-3601	10-15-97	LEP
C	MB	REVISE PER CD#06615	07-23-98	DM

NOTE:

1. Dimensions in parentheses are in millimeters.
2. Refer to product description for additional product information.

SECTION A-A
TYP 96 PLACES



COSTAR® is a registered trademark of Corning Incorporated

PROD CODE:144

Corning Incorporated Science Products Division 45 Nagog Park Acton, MA 01720	Tolerances: Unless otherwise specified dimensions are nominal for reference only	Drawn MB Date 04/10/97 Chkd LEP 04/10/97 Mot1 SEE PROD DESCRIPTION	COSTAR® 96 WELL HOLEY PLATE DWG00121 Rev C
		Customer Spec. Sh't. 1 of 1	