

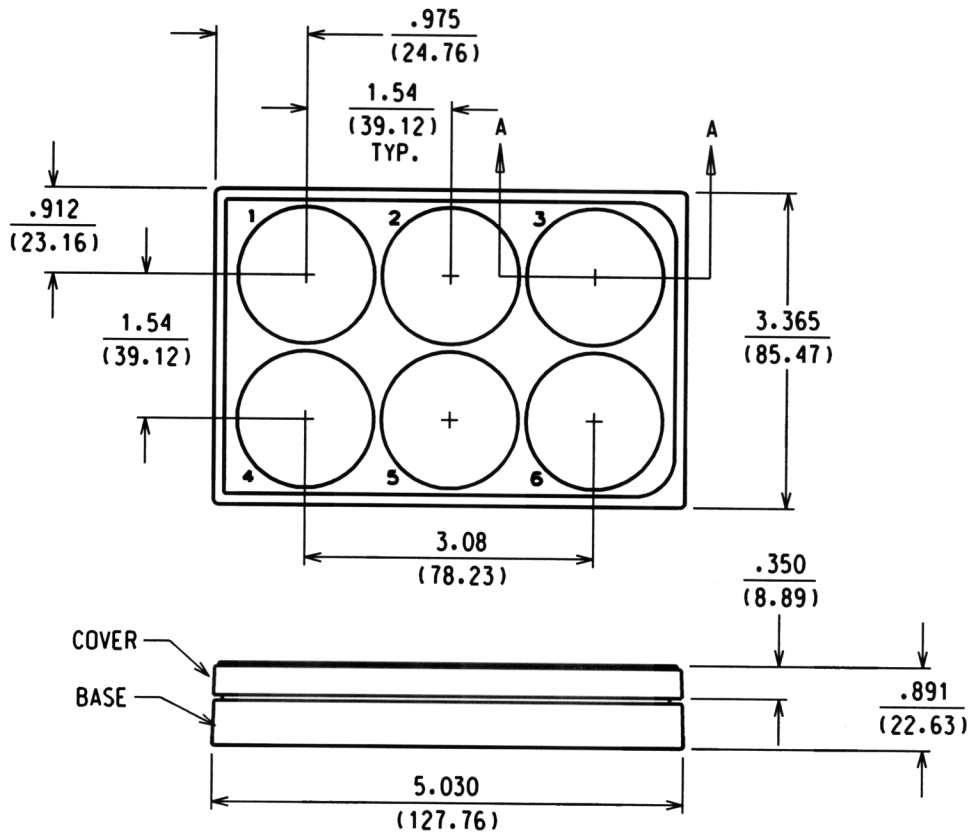
SECTION A-A  
TYP. 96 PLCS

| REVISIONS |     |                                       |          |          |
|-----------|-----|---------------------------------------|----------|----------|
| REV       | DR  | DESCRIPTION                           | DATE     | APPROVED |
| A         | MB  | RELEASE PER CD#05144                  | 06/06/97 | LEP      |
| B         | MB  | REVISED PER CD# 05780<br>WAS 144-3506 | 10-15-97 | LEP      |
| C         | DAK | REVISED PER CD#07780                  | 2-24-00  | BH       |

NOTE:

1. Dimensions in parentheses are in millimeters.
2. Refer to product description for additional product information.

Top view shown without cover



COSTAR® is a registered trademark of Corning Incorporated

PROD CODE:144

Corning Incorporated  
Science Products Division  
45 Nagog Park  
Acton, MA 01720

Tolerances: Unless  
otherwise specified  
dimensions are nominal  
for reference only

Drawn CBL Date 10/03/96  
Chkd LEP 03/25/97  
Matl SEE PROD DESCRIPTION  
Customer Spec. Sht. 1 of 1

COSTAR®  
6 WELL PLATE  
WITH COVER

DWG00673 Rev C