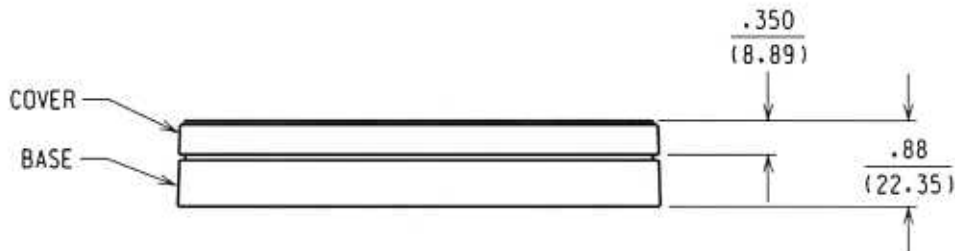
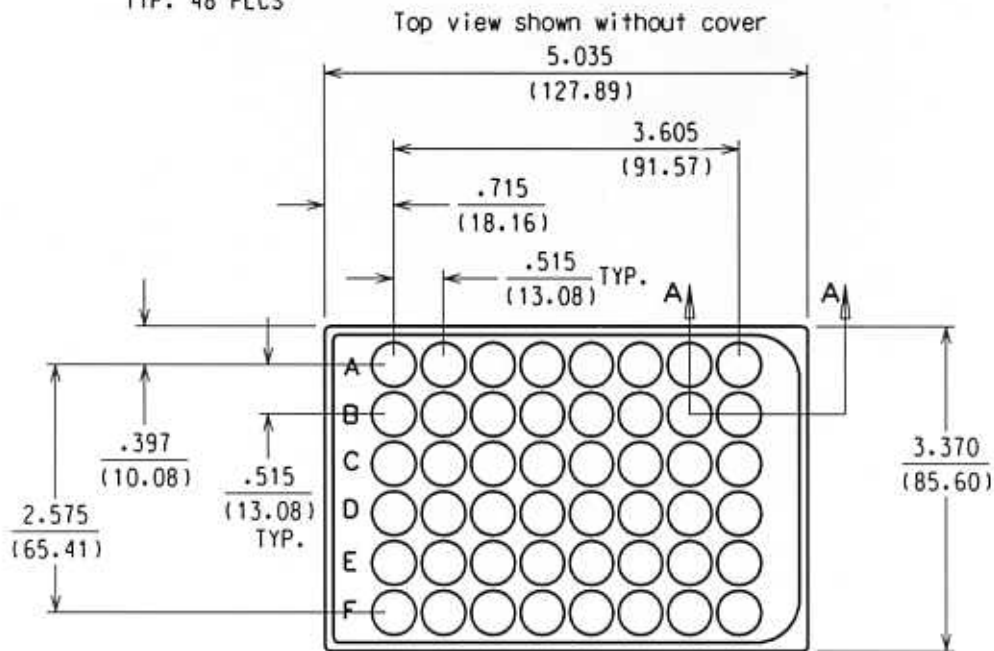


SECTION A-A
TYP. 48 PLCS



REVISIONS				
REV	DR	DESCRIPTION	DATE	APPROVED
A	MB	RELEASE PER COM05144	06/06/97	LEP
B	MB	REVISED PER COM 05780 WAS 144-3548	10-15-97	LEP

NOTE:

1. Dimensions in parentheses are in millimeters.
2. Refer to product description for further product information.