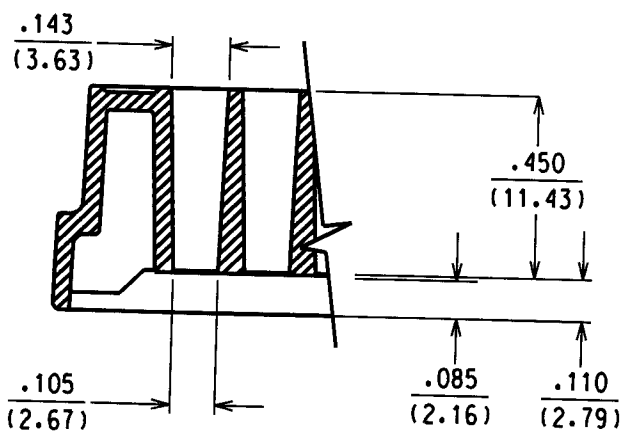
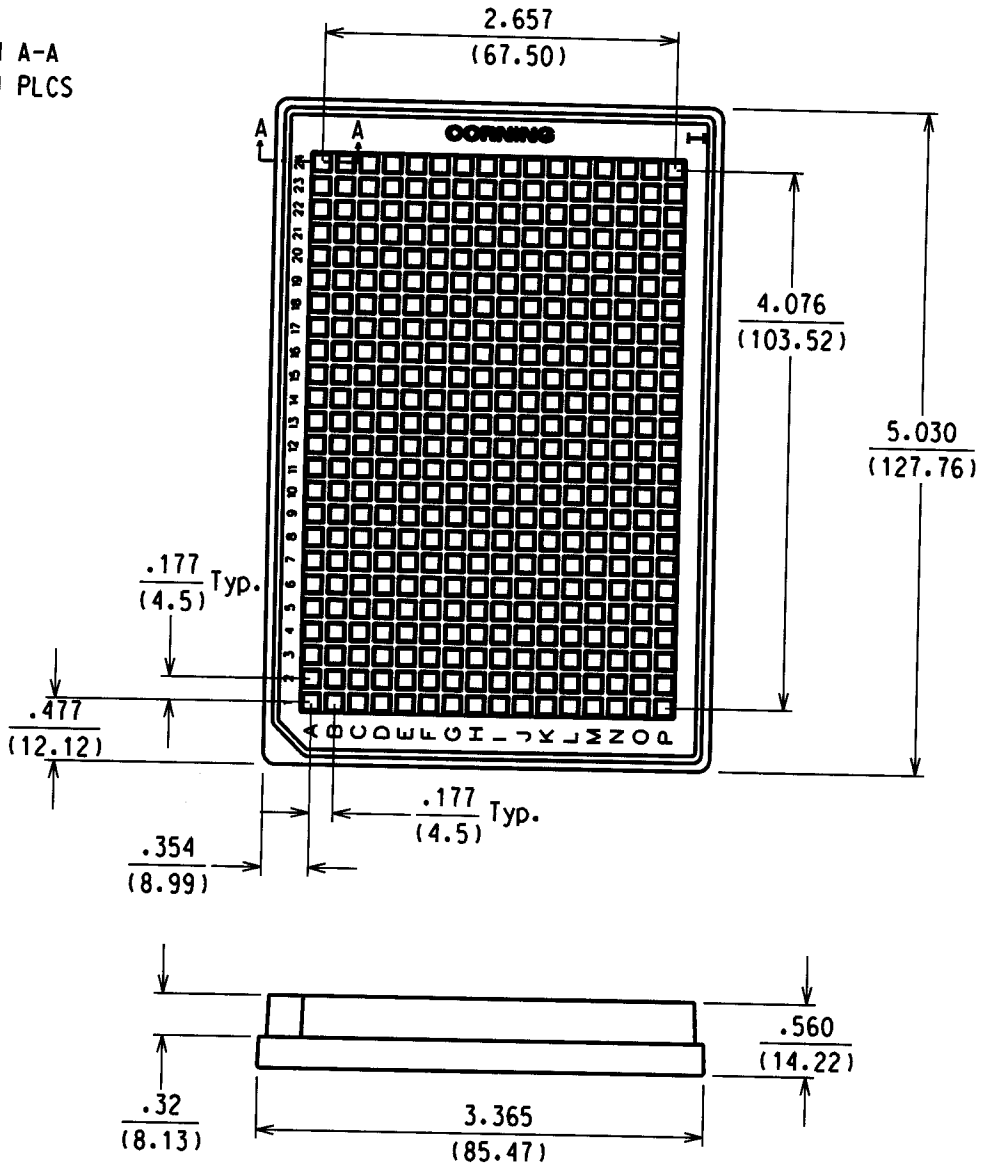


REVISIONS				
REV	DR	DESCRIPTION	DATE	APPROVED
A	DAK	RELEASE PER CO#12621	8/5/02	MR



- NOTE:
1. Dimensions in parentheses are in millimeters.
  2. Refer to product description for additional product information.

SECTION A-A  
TYP. 384 PLCS



COSTAR® is a registered trademark of Corning Incorporated

Corning Incorporated  
Science Products Division  
45 Nagog Park  
Acton, MA 01720

Tolerances: Unless otherwise specified dimensions are nominal for reference only

Drawn DAK Date 7/8/02  
Chkd MR 8/5/02  
Matl SEE PROD. DESCRIPTION  
Customer Spec. Sht. 1 of 1

PROD CODE:144  
CORNING  
384 WELL ASSY PLATE  
CLR BTM W/O COVER  
DWG01479 Rev A