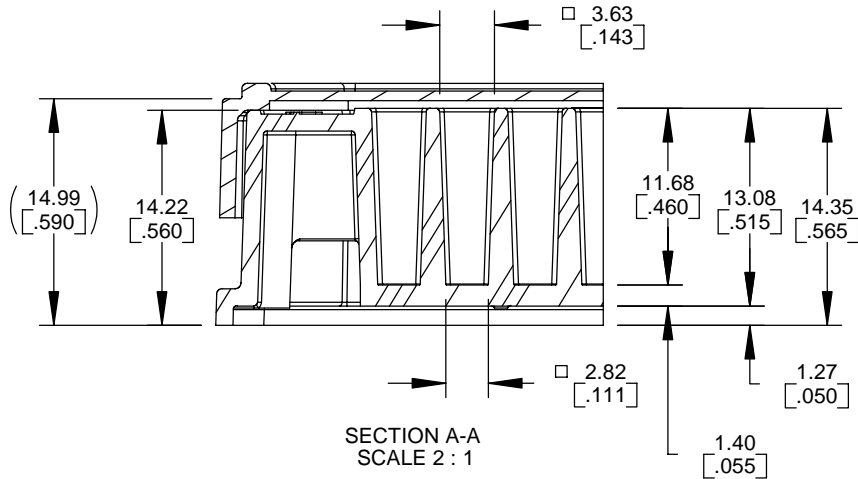
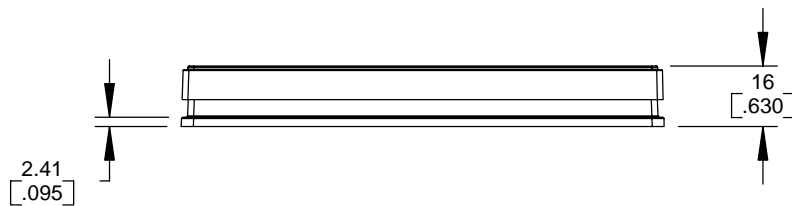
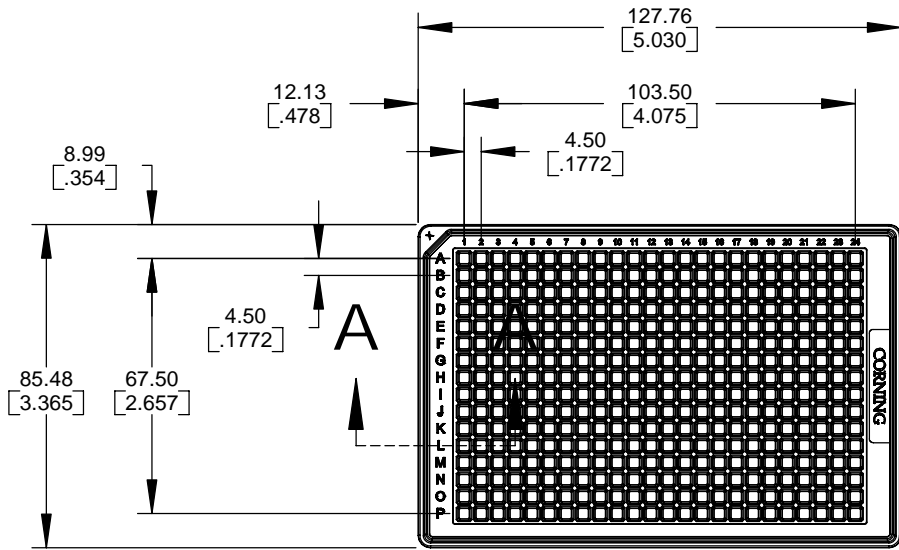


REVISIONS				
REV.	DR	DESCRIPTION	DATE	APPRVD
A	DAK	RELEASED PER CO16658	__-__-__	__



NOTES:

1. DIMENSIONS ARE IN MILLIMETERS.
2. DIMENSIONS IN PARENTHESIS ARE IN INCHES.
3. REFER TO PRODUCT DESCRIPTION FOR FURTHER PRODUCT INFORMATION.
4. PLATE HEIGHT FOR ONE PLATE WITH LID IS 16mm, FOR EACH ADDITIONAL PLATE WITH LID ADD 14.99mm TO CALCULATE STACK HEIGHT.



PRELIMINARY

CORNING

Life Sciences
45 Nagog Park
Acton, MA 01720

TOLERANCES - UNLESS SPECIFIED DIMENSIONS ARE NOMINAL FOR REFERENCE ONLY.

DRAWN DAK DATE 2/7/06
CHKD _____
MATL SEE PRODUCT DESCRIPTION

PLATE, 384 WELL
SQ. TO SQ., FLAT BOTTOM
LOW FLANGE, W/LID

CUSTOMER SPEC.

PROD CODE 144 SHEET 1 OF 1

DWG02016

REV A