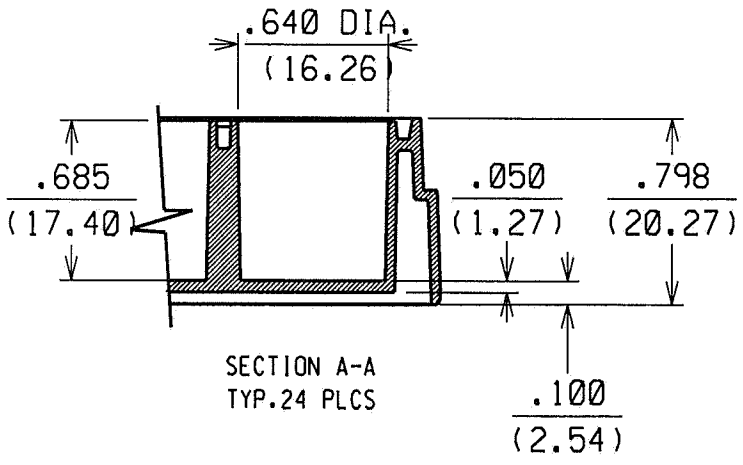
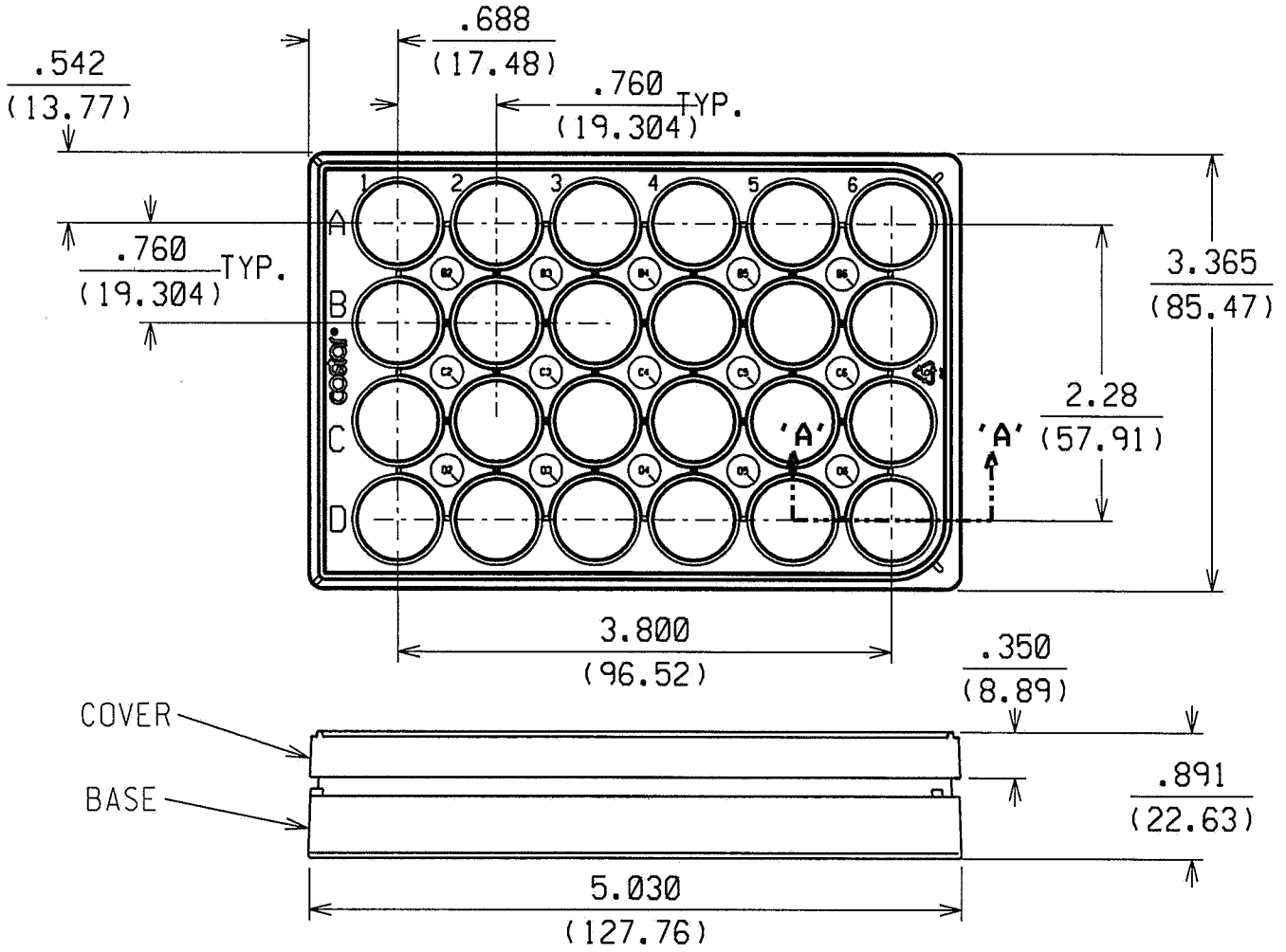


REVISIONS				
REV	DR	DESCRIPTION	DATE	APPROVED
A	DNB	RELEASE PER CO# 7657	12/3/99	BH



NOTES: 1. Dimensions in parentheses are in millimeters.
2. Refer to product description for additional information.



COSTAR® is a registered trademark of Corning Incorporated

PROD CODE: 144

Corning Incorporated
Science Products Division
45 Nagog Park
Acton, MA 01720

Tolerances: Unless otherwise specified dimensions are nominal for reference only

Drawn DNB Date 9/13/99
Chkd BH
Matl SEE PROD DESCRIPTION
Customer Spec. Sht. 1 of 1

24 WELL PLATE AND COVER
DWG01261 Rev A