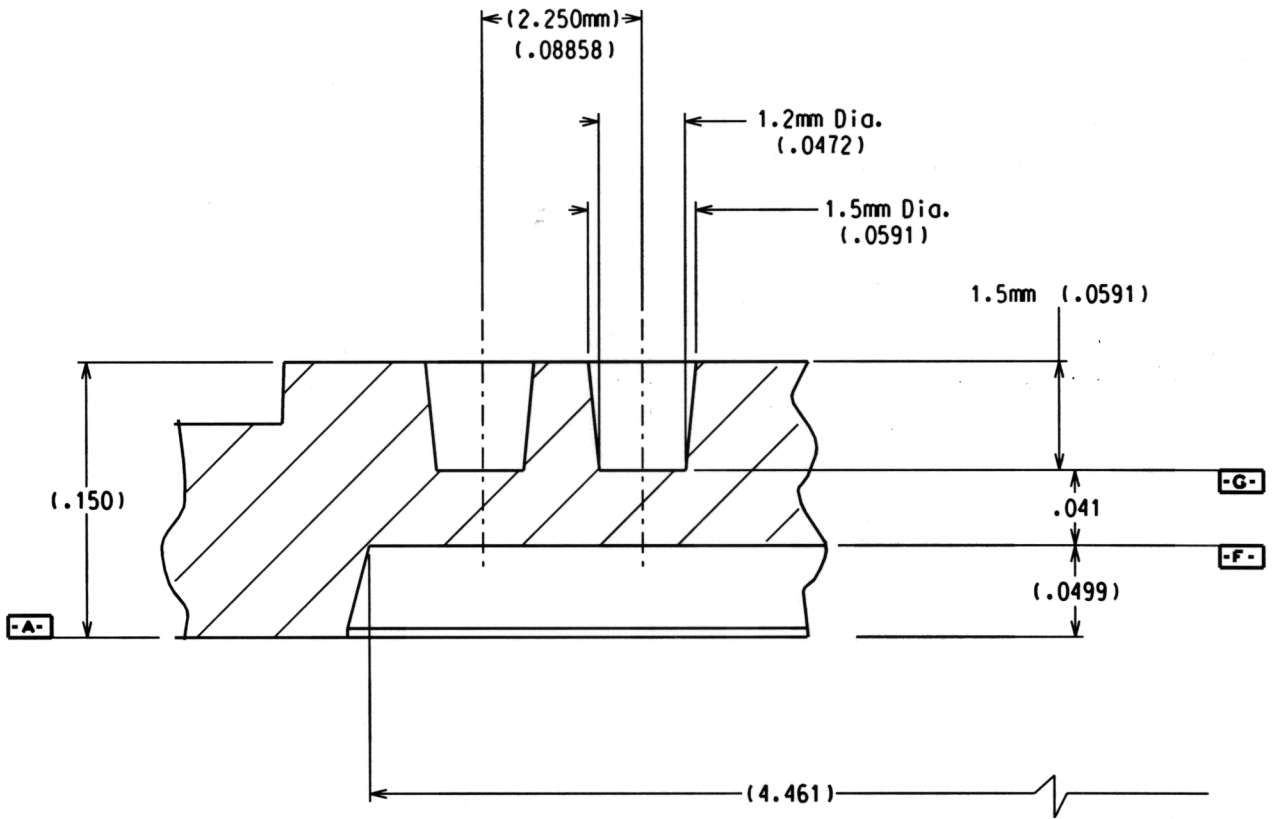


REVISIONS				
REV	DR	DESCRIPTION	DATE	APPROVED
A	DAK	RELEASED PER CD#10381	5/22/00	JB



DETAIL "C"

NOTES:

1. SURFACES F & G TO HAVE OPTICAL POLISH.
2. AN .040" MAXIMUM GATE VESTIGE IS ALLOWED WITHIN THIS AREA.
3. ALL DIMENSIONS ARE IN INCHES UNLESS OTHERWISE SPECIFIED.
4. DIMENSIONS IN PARENTHESES ARE REFERENCE DIMENSIONS.
5. DIMENSIONS IN BLOCKS ARE BASIC DIMENSIONS.

COSTAR® is a registered trademark of Corning Incorporated

PROD CODE: 144

Corning Incorporated
 Science Products Division
 45 Nagog Park
 Acton, MA 01720

Tolerances: Unless otherwise specified dimensions are nominal for reference only

Drawn DAK Date 1-4-00
 Chkd
 Mat1 SEE PROD DESCRIPTION
 Customer Spec. Sht. 2 of 2

1536 MICROPLATE 2ul
 DWG01279 Rev A